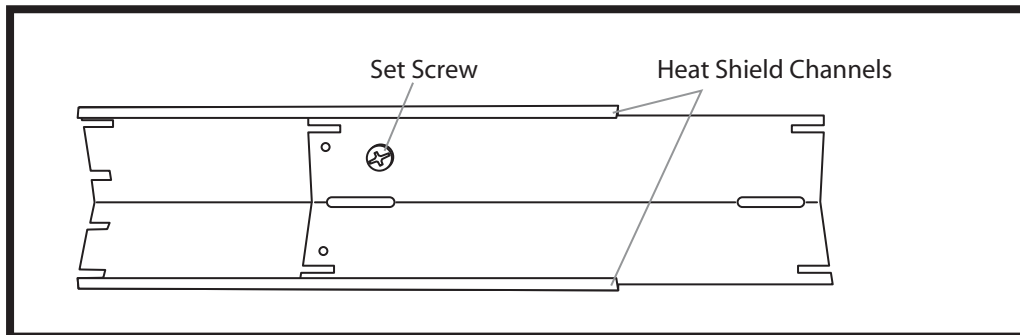


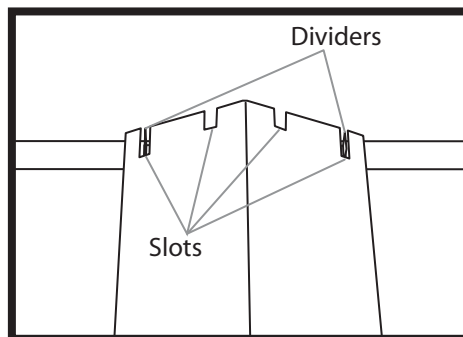
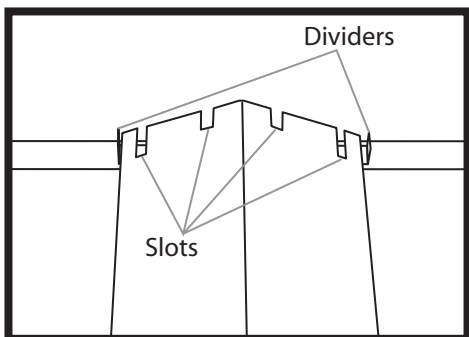
# UNIVERSAL HEAT SHIELD

## FOR GRILLS WITH HEAT SHIELD DIVIDERS

1. Slide two halves of the heat shield together, adjust to proper length for your grill, then tighten set screw.
2. Set heat tent directly over burner.



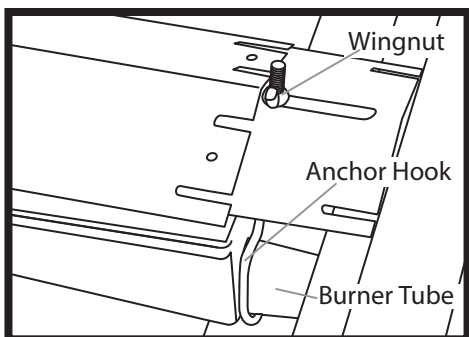
Note: Some grills have dividers to keep heat tents in place. These dividers may fit inside the heat tent slots or just outside the tent.



## FOR GRILLS WITHOUT DIVIDERS

1. Adjust heat tent to proper length. Use anchor hook to secure heat tent directly over burner. Anchor hook will loop around burner tube.
2. Tighten wing nut on anchor hook.

### TOP VIEW



### SIDE VIEW

